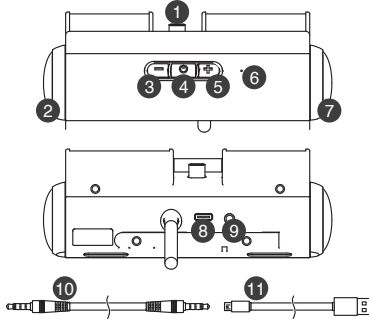




Superb Speaker Charging Dock For N-Switch Lite/ N-Switch

Product Manual PG-9171

Product appearance & connector



- 1.Type-C plug: Connect N-Switch console, use for extracting the audio from console and charging;
- 2.Speaker1#: Diameter 31mm , 2W, hi-fi tone;
- 3.Speaker volume "-": Turn down the volume;
- 4.Product ON/OFF;
- 5.Speaker volume "+":Turn up the volume;
- 6.Indicator: Red, Blue; (Blue LED lit when turn on, Red LED lit when charging and off after fully charged)
- 7.Speaker2#: Diameter 31mm , 2W, hi-fi tone;
- 8.TYPE-C port: External power connector, for charging console/product simultaneously;
- 9.Built-in 3.5mm audio port;
- 10.3.5mm earphone connector(with two male connector),length 50m,diameter 2.8mm;

11.USB charging cable, length 80cm flat cable(One side is USB port to plug in computer or the adapter with 5V, the other side is type-C connector),

Product Application:

1. This product is a speaker holder which compatible with N-Switch lite/ N-Switch console, fashion design, simple operation;
- 2.This speaker is directly extracting the audio from N-Switch lite/ N-Switch through Type-C plug, and play the sounds from the speaker;
- 3.External 3.5mm audio connector, extracting the audio devices with 3.5mm port (e.g. mobile), and play the sounds from the speaker;
- 4.Built-in Li-battery, support to charge the product and N-Switch lite/ N-Switch console simultaneously through Type-C port;

Product Operation

- 1.Audio play function
 - ①When the product is turned off, a gentle press button and the indicator light will be always on. When the product is turned on, hold down button and the indicator light will be off and the product will be turned off;
 - ②Plug in N-Switch lite/ N-Switch console, the product play the game sound of Switch console;
 - ③Connect other audio devices (e.g. mobile) to the speaker through audio cable,priority to play the sound of the audio device with 3.5mm port;
 - ④Adjust the volume through product "+","-"button;
 - ⑤ Charge the speaker battery(5V/300mA) through N-Switch lite/ N-Switch original adapter,Red led will be always on when charging, the light will be off after fully charged; Through Type-C cable to charge N-Switch lite/ N-Switch simultaneously;
 - ⑥This product simultaneously support to play sounds from N-Switch console/3.5mm audio devices while charging the N-Switch console;

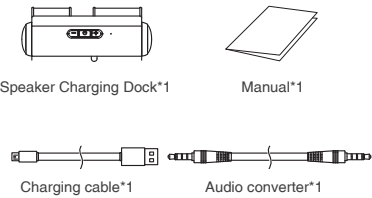
Product Electrical Parameters

- 1.Type-C input voltage: DC/5V 100MHz
Charging current: 300MA
- 2.Battery: 300MA/3.7V, takes 2H to charge
- 3.Battery life: 2.0H
- 4.Output power:2*3W
- 5.Frequency response:90Hz-16KHz
- 6.External audio:AUX
- 7.SNR: 80db
- 8.Distortion: 0.1%

Notes

- 1.This product only support 5V input and output;
2. Please do not store this product in wet or high-temperature areas.
3. Dont knap, beat, drub, pierce, or try to decompose this product, to avoid unnecessary damage to the product;
- 4.Non professional personnel should not disassemble the product, otherwise it will not be covered in the after-sales warranty service.;

Product list



Ipega trademarks belongs to IPEGA LIMITED.

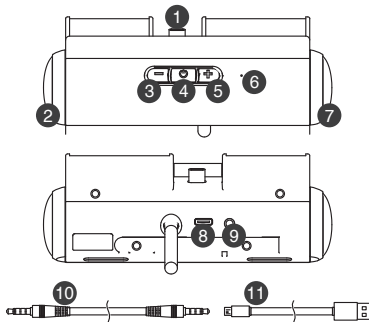
Patent NO.: 2019307079840



魔音N-Switch Lite/N-Switch音箱支架

产品说明书 PG-9171

产品外观及接口定义



- 1.Type-C公插头: 连接主机, 用于提取主机音频和给主机充电;
- 2.扬声器1#: 直径31mm, 2W, HI-FI音质;
- 3.音响音量调节 "-": 音响音量减小键;
- 4.产品开/关机;
- 5.音响音量调节 "+": 音响音量增加键;
- 6.指示灯: 红色、蓝色; (开机蓝灯常亮, 充电时红灯常亮, 充满指示灯灭, 边充电边用, 红灯/蓝灯同时亮);
- 7.扬声器2#: 直径31mm, 2W, HI-FI音质;
- 8.TYPE-C母座: 外部电源输入接口, 给主机/产品同时充电;

- 9.产品自带3.5mm音频母座;
- 10.产品附带3.5mm耳机插头(两端公头)长50CM, 直径2.8MM;
- 11.产品附带USB充电线, 长80CM 扁线(一端USB母座, 插电脑或者适配器5V, 一端是Type-C公头);

产品适用

- 1.产品为N-Switch lite/ N-Switch主机支架音响, 外形时尚, 操作简单;
- 2.产品直接通过Type-C公插向N-Switch lite/ N-Switch主机提取音频, 然后通过音箱播放出来;
- 3.产品外引3.5mm音频母座, 获取带有3.5mm音频设备的音频(例如: 手机), 通过音箱播放出来;
- 4.产品内置可充电锂电池, 通过Type-C母座可以同时为产品充电和N-Switch lite/ N-Switch主机充电;

产品操作说明

- 1.音频播放功能
 - ①关机状态下, 短按 键, 指示灯长亮, 产品开机, 开机状态下, 长按 键, 指示灯熄灭, 产品关机;
 - ②将N-Switch lite/ N-Switch主机插入产品, 产品播放主机的游戏声音;
 - ③将产品的音频线插入带3.5mm音频孔的设备(例如: 手机), 产品优先播放3.5mm孔输入的音频;
 - ④通过产品 "+ " "- " 键, 可以调节音响的音量大小;
- 2.产品充电功能
 - ①外接N-Switch lite/ N-Switch原装适配器, 可以给产品内置电池充电(5V/300mA), 充电时红色指示灯亮, 充满电红色指示灯灭; 同时通过Type-C公头也可以给N-Switch lite/ N-Switch主机充电;
 - ②产品边给N-Switch lite/ N-Switch主机边充电, 也可以边播放N-Switch lite/ N-Switch主机或3.5音频口输入的音频;

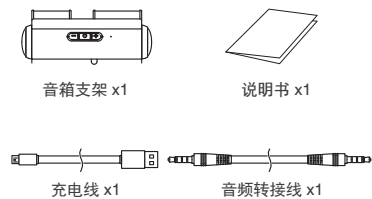
产品特性参数

- 1.Type-C输入电压: DC/5V 100MHz
充电电流: 300MA
- 2.锂电容量: 300MA/3.7V 充电约2H满
- 3.续航时长: 2.0H
- 4.输出功率: 2*3W
- 5.频响: 90Hz-16KHz
- 6.外接音源: AUX
- 7.信噪比: 80db
- 8.失真度: 0.1%

注意事项

- 1.本产品只支持5V供电;
- 2.请不要把本产品放在潮湿或高温地方存储;
- 3.不要敲击、摔打、棒打、刺穿、或试图去分解本产品, 以免对产品造成不必要的损害;
- 4.非专业人员请勿拆卸本产品, 否则不在售后保修服务内;

产品清单



Ipega 商标属于 IPEGA LIMITED 所有.

专利号: 2019307079840